



Model 3: Satellite

This project has been funded on behalf of the European Commission (EC) by Malta's European Union Programmes Agency (EUPA) through a Grundtvig LLP Learning Partnership Grant No.

LLP/GRU/MT/PART/04/2012. The content in this presentation is the responsibility of the partnership and not of the EC or EUPA

**Partner Project No.
LLP/GRU/MT/PART/04/2012**

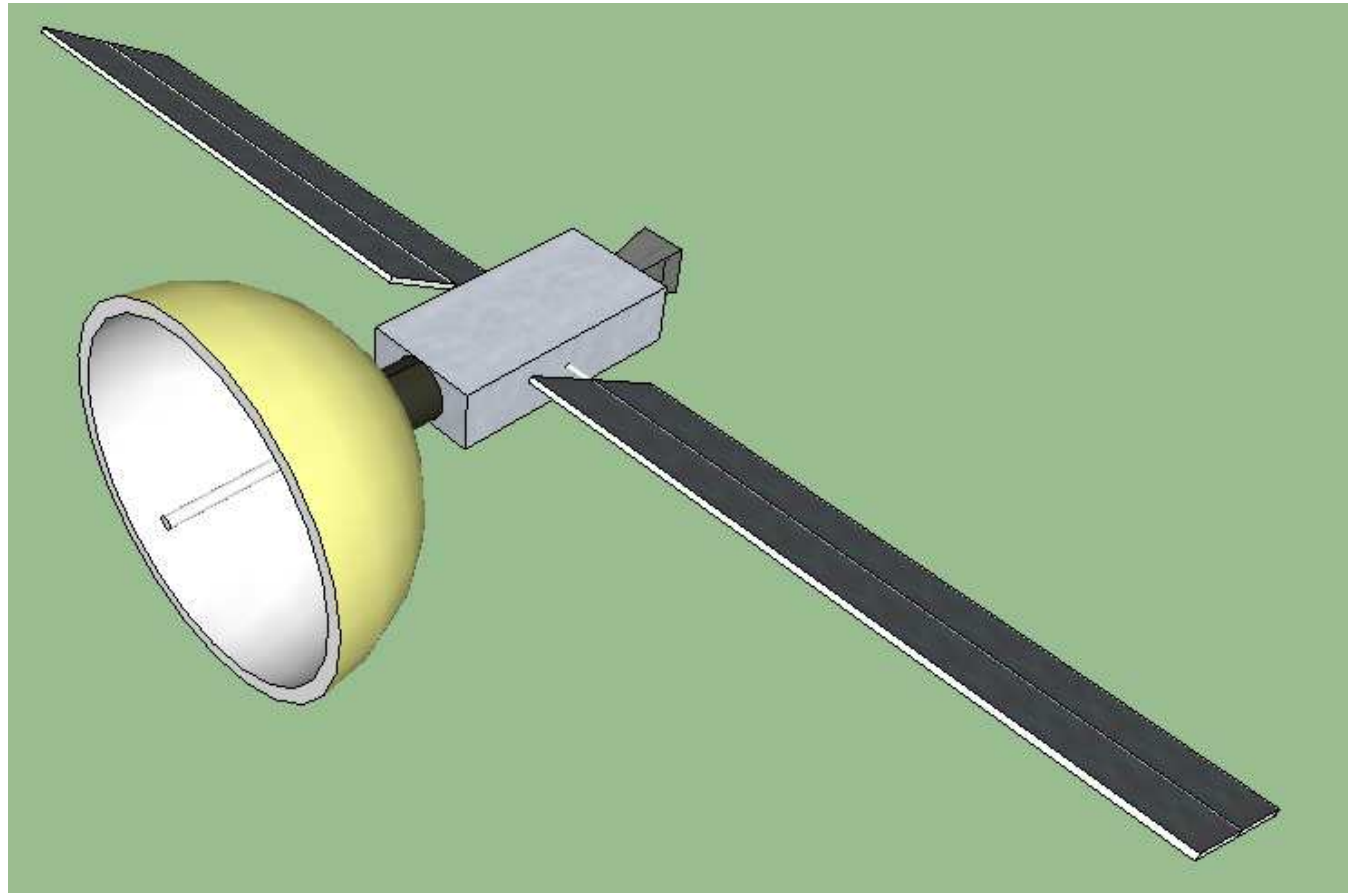


Lifelong
Learning
Programme



Driving
Excellence &
Innovation

Model 3: Satellite



Lifelong Learning Programme

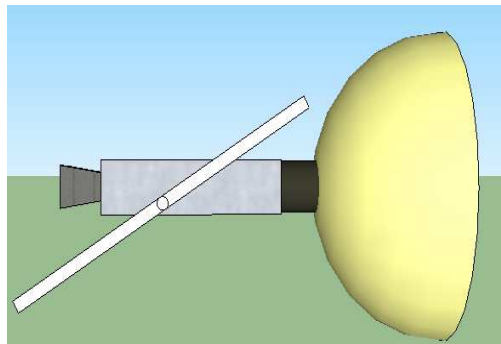
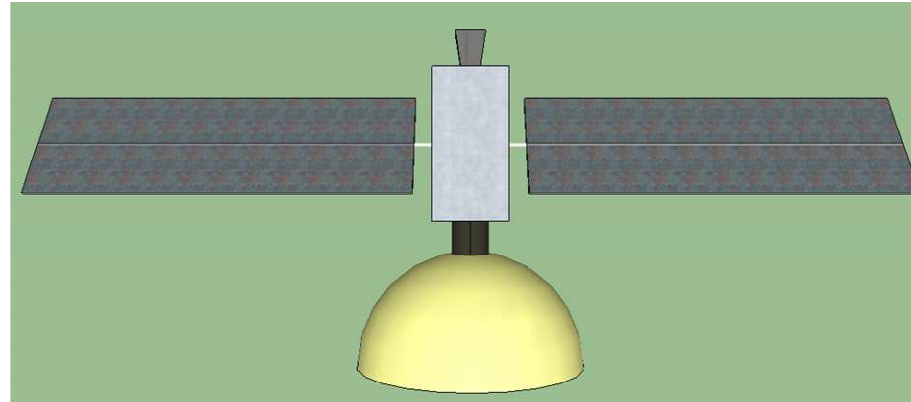
Partner Project No.
LLP/GRU/MT/PART/04/2012



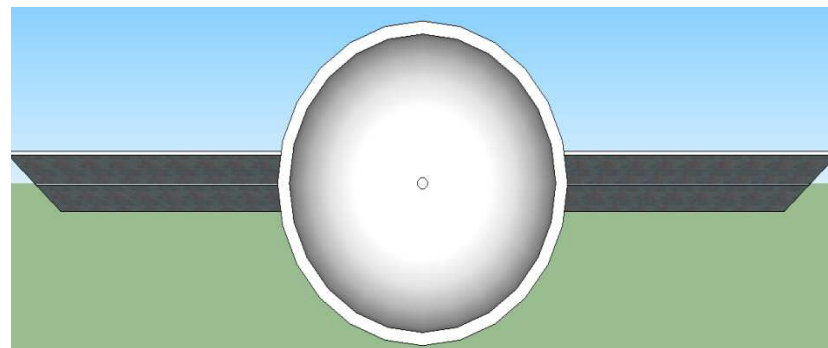
Driving Excellence & Innovation

Model 3: Satellite

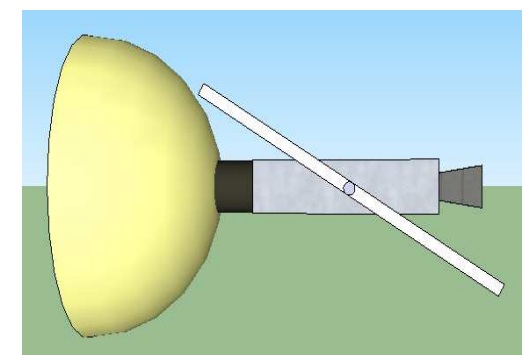
Top View



Left View



Front View



Right View

